

Capacity	Accuracy	Part-Number
10 kg	C3 / C4	BM6G-xx-10kg-3B6
20 kg	C3 / C4	BM6G-xx-20kg-3B6
50 kg	C3 / C4	BM6G-xx-50kg-3B6
100 kg	C3	BM6G-C3-100kg-3B
150 kg	C3	BM6G-C3-150kg-3B
200 kg	C3	BM6G-C3-200kg-3B
300 kg	C3	BM6G-C3-300kg-3B
400 kg	C3	BM6G-C3-400kg-3B
500 kg	C3	BM6G-C3-500kg-3B

Specifications:

Accuracy class		OIML C3	OIML C3 MR	OIML C4 MR
Output sensitivity (= FS)	mV/V		2.0 ± 0.2	
Maximum capacity (E _{max})	kg	10, 20, 50, 100, 150, 200, 300, 400, 500		10, 20, 50
Maximum number of load cell intervals (n _{LC})		3000	3000	4000
Ratio of minimum LC verification interval $Y = E_{max} / V_{min}$		10000	20000	40000
Minimum Dead Load Output Return ($Z = \frac{1}{2} * E_{max} / DR$)			6000	
Combined Error	%FS	± 0.020	± 0.020	± 0.0180
Minimum dead load	kg		0	
Safe overload	of E _{max}		150 %	
Ultimate overload	of E _{max}		300 %	
Zero balance	of FS		< ± 2.0 %	
Excitation, recommended voltage	V		5 ~ 12	
Excitation maximum	V		18	
Terminal resistance, input	Ω		350 ± 3.5	
Terminal resistance, output	Ω		350 ± 3.5	
Insulation impedance	MΩ		≥5000 (at 50VDC)	
Temperature range, compensated	°C		-10 ~ +40	
Temperature range, operating	°C		-35 ~ +65	
Element material			Stainless steel 1.4548	
Ingress Protection			IP68/IP69K	
Recommended torque on fixation bolts	Nm		10-50 kg: 10	100-500 kg: 20
ATEX classification		II1G Ex ia II1C T4	II1D Ex iaD 20 T73°C	II3G nL IIC T4

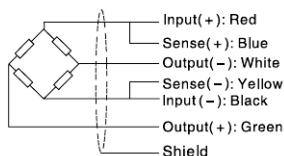
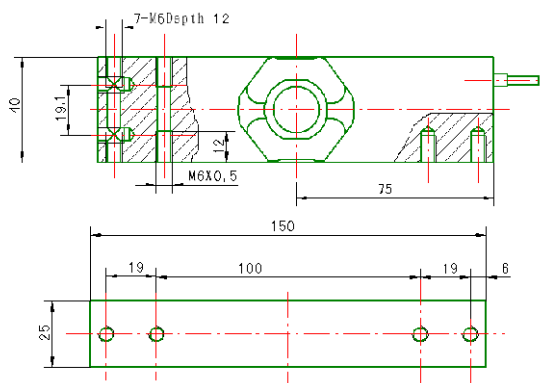


- Stainless steel IP69K single point load cell
- Suitable for platform, belt scales and other weighing devices
- Recommended platform size: 800 x 800 mm (100 – 500 kg)
- Recommended platform size: 400 x 400 mm (10 – 50 kg)



Outline Dimensions in mm (inch)

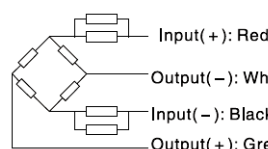
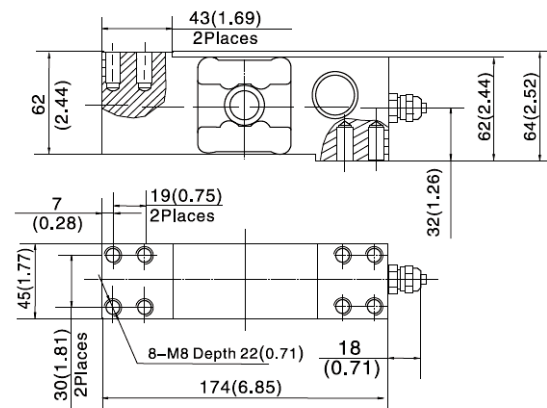
10 – 50 kg



Wiring:

- Shielded, 6 conductor cable.
- Standard cable length : 3m.
- Shield not connected to element.

100 – 500 kg



Wiring:

- Shielded, 4 conductor cable.
- Standard cable length : 3m.
- Cable type and cable length for customer's own application are available on request.
- Shield not connected to element.